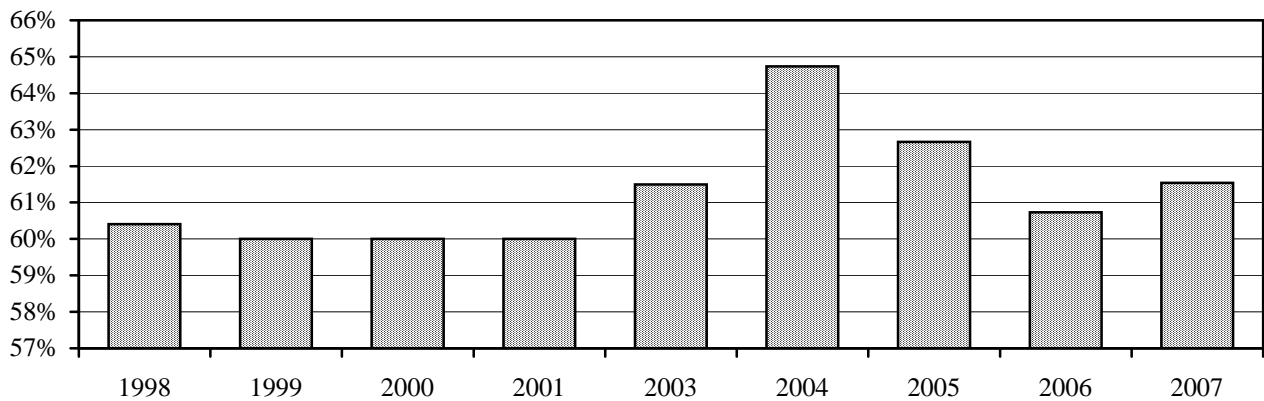


### Tenure of Full-time Instructional Faculty^ - Reynolda Campus, Fall 2007

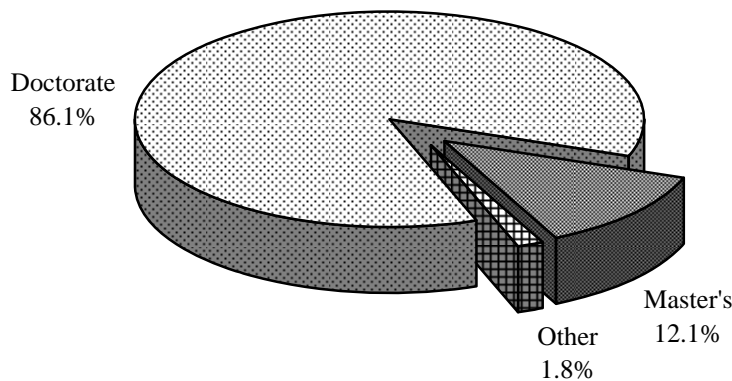
Rank	Tenured		Tenure Track		Non-Tenure Track		Total		% Tenured	
	Male	Female	Male	Female	Male	Female	Male	Female	Male	Female
Professor	129	35	0	0	1	1	130	36	99%	97%
Associate	75	49	3	3	0	2	78	54	96%	91%
Assistant	0	0	35	30	23	16	58	46	0%	0%
Instructor	0	0	0	0	5	9	5	9	0%	0%
Lecturer	0	0	0	0	17	21	17	21	0%	0%
Other rank	0	0	0	0	7	7	7	7	0%	0%
<b>Total</b>	<b>204</b>	<b>84</b>	<b>38</b>	<b>33</b>	<b>53</b>	<b>56</b>	<b>295</b>	<b>173</b>	<b>69%</b>	<b>49%</b>

### Percentage of Full-time Instructional Faculty^ Tenured - Reynolda Campus, Fall 1998-2007



### Highest Degree Earned for Full-Time Instructional Faculty^\*, Fall 2007

Degree	Male		Female		Total Faculty	
	#	%	#	%	#	%
Doctorate	220	89.4%	121	80.7%	341	86.1%
Master's	22	8.9%	26	17.3%	48	12.1%
Other	4	1.6%	3	2.0%	7	1.8%
<b>Total</b>	<b>246</b>	<b>100%</b>	<b>150</b>	<b>100%</b>	<b>396</b>	<b>100%</b>



^"Full-time Instructional Faculty" as defined by the AAUP Faculty Compensation Survey

\*Arts and Sciences and the Calloway School of Business and Accountancy